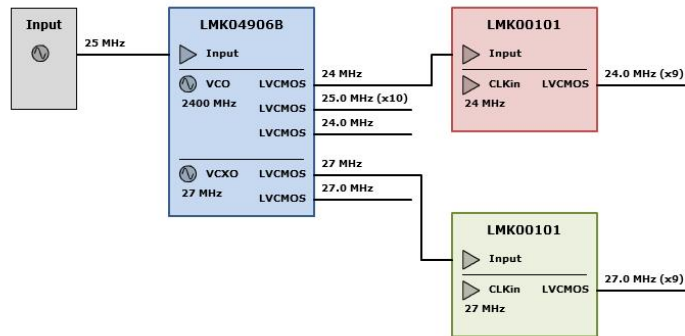


WEBENCH[®] Clock Architect

Project Report

Project: 4166583/1 Project 1 - [LMK04906B, LMK00101, LMK00101]
 Created: 7/9/15 4:43:19 AM



Block Diagram

System Specification and Parameters

Fixed Outputs

Name	Freq (MHz)	Format	Count
fixed0	24	Any	10
fixed1	27	Any	10
fixed2	25	Any	10

Options

Name	Design Value
Automatically Select Input Frequencies	No

Properties

Name	Design Value
External Sources	none
Total BOM Cost	\$10.89
Total Current	690.3 mA
Total Footprint	131.0 mm ²



User ID = 4166583
Design Id = 21
Device = LMK04906B
Created = 7/9/15 4:43:19 AM

WEBENCH® Clock Design Report



User ID = 4166583
Design Id = 22
Device = LMK00101
Created = 7/9/15 4:43:19 AM

WEBENCH® Clock Design Report



User ID = 4166583
Design Id = 23
Device = LMK00101
Created = 7/9/15 4:43:19 AM

WEBENCH® Clock Design Report

Texas Instruments' WEBENCH simulation tools attempt to recreate the performance of a substantially equivalent physical implementation of the design. Simulations are created using Texas Instruments' published specifications as well as the published specifications of other device manufacturers. While Texas Instruments does update this information periodically, this information may not be current at the time the simulation is built. Texas Instruments does not warrant the accuracy or completeness of the specifications or any information contained therein. Texas Instruments does not warrant that any designs or recommended parts will meet the specifications you entered, will be suitable for your application or fit for any particular purpose, or will operate as shown in the simulation in a physical implementation. Texas Instruments does not warrant that the designs are production worthy.

You should completely validate and test your design implementation to confirm the system functionality for your application prior to production.

Use of Texas Instruments' WEBENCH simulation tools is subject to [Texas Instruments' Site Terms and Conditions of Use](#). Prototype boards based on WEBENCH created designs are provided AS IS without warranty of any kind for evaluation and testing purposes and are subject to the terms of the [Evaluation License Agreement](#).