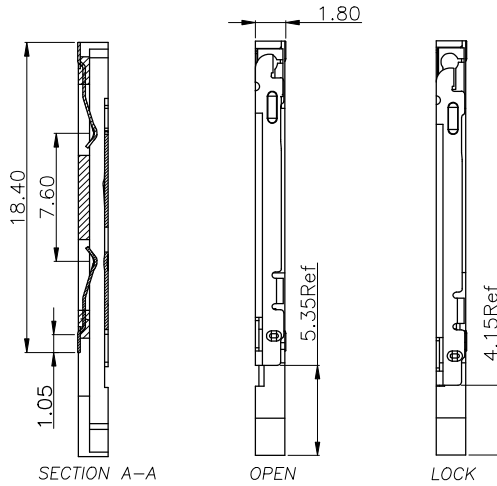
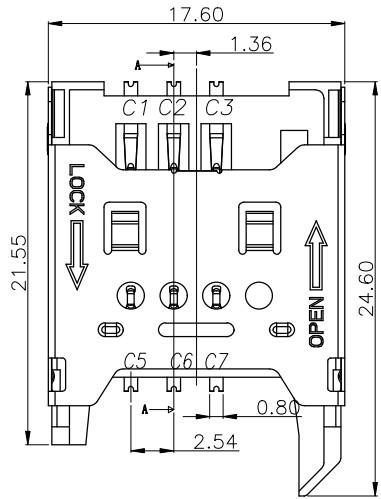
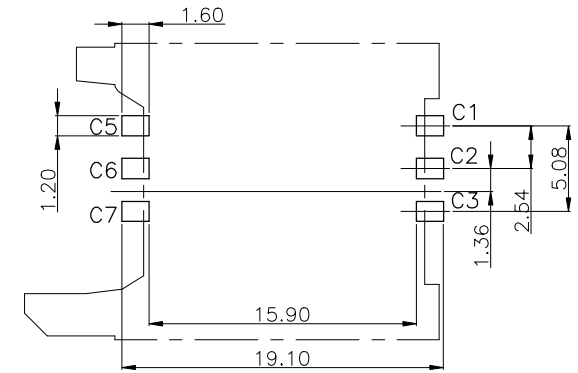




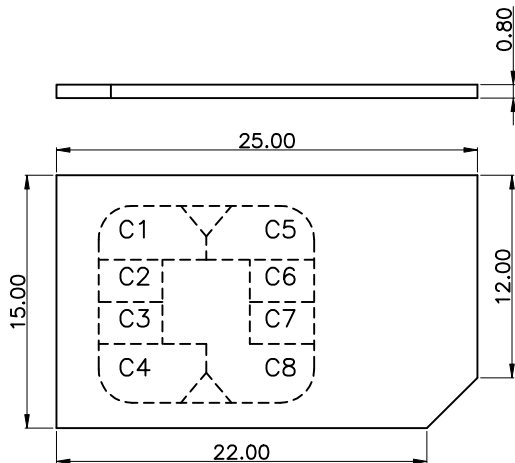
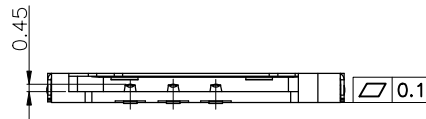
REV.	ECN NO OR DESCRIPTION	REVISED	DATE



pin no.	name
C1	vcc of sim
C2	rst of sim
C3	clk of sim
C5	gnd of sim
C6	vpp of sim
C7	I/O of sim
C4/C8	n/a



RECOMMENDED PCB LAYOUT
GENERAL TOLERANCE ± 0.05



SPECIFICATIONS:

- ELECTRICAL CHARACTERISTICS**
 - CONTACT RESISTANCE: 80 MILLIOHMS MAX.
 - INSULATION RESISTANCE: 1,000 MEGOHMS MIN.
 - DIELECTRIC WITHSTANDING VOLTAGE: 500V AC FOR 1 MINUTE.
- MECHANICAL CHARACTERISTICS**
 - RETENTION FORCE: MIN. 100GF/PIN
 - DURABILITY: 5,000 CYCLES
- ROHS 2002/95/EC COMPLIANT.

C	SHELL	1	STAINLESS STEEL 0.20t	Ni PLATING
B	CONTACT	6	COPPER ALLOY 0.15t	Gold plated on contact area Tin plated on Solder tail All over Nickel Plated .
A	HOUSING	1	HIGH-TEMPERATURE PLASTIC UL94-V0	BLACK
NO	DESCRIPTION	QTY	MATERIAL	PLATING & COLOR

UNLESS OTHERWISE SPECIFIED TOLERANCES

DECIMALS:	ANGLES:
X : ± 0.5	X : $\pm 2^\circ$
X.X : ± 0.20	X.X : $\pm 1^\circ$
X.XX : ± 0.10	



东莞市汉博电子科技有限公司
DONGGUAN HANBO TECHNOLOGY CO., LTD

TITLE	Mini sim card 6P hinged type 1.8h			
DWN	xiong	SIM-209		
CHKD	lee	SCALE: 1:1	UNIT: mm	
APVD	wang	SIZE: A4	SHEET: 10F 1	REV: A4

CUSTOMER COPY