

型号 : SBT673

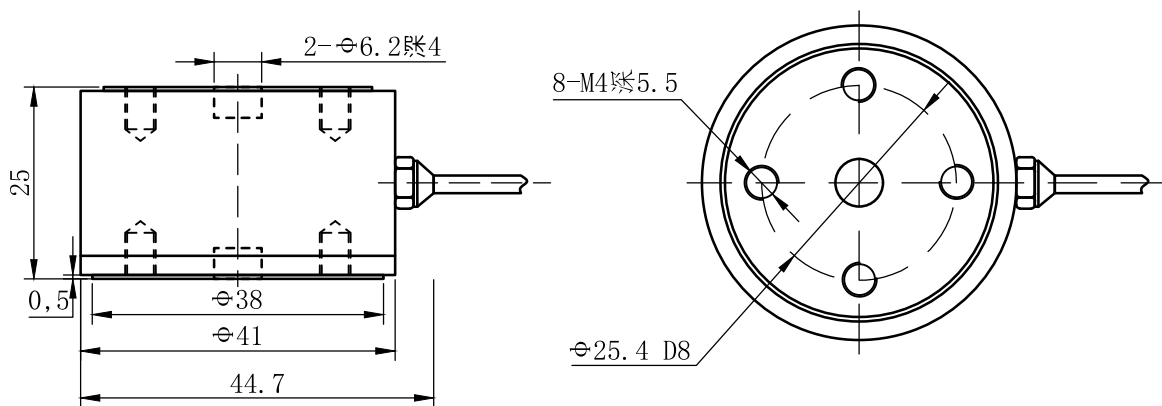
特点与用途/Features&Application

主要用于汽车生产，医疗器械，机器人，自动化设备等方面。例如：按键手感检测，冷热压机压力检测，机器人手抓力等。



Is mainly used in automobile manufacturing, medical equipment, robots, automation equipment, etc. Feel is testing for example: buttons, hot and cold press pressure detection, machine hand holding power, etc.

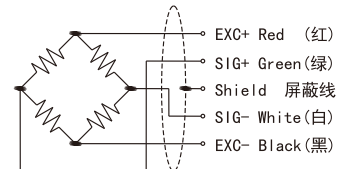
安装尺寸/Mounting Dimension



受力方式/Load Direction



接线图/Wiring



技术参数/Technical Parameters

参数	Specifications	技术指标/Technique
传感器量程	Rated load	1, 2, 3, 5, 10, 20, 30KN
综合误差	Comprehensive error	$\leq \pm 0.1\%$
非线性	Non-linearity	0.1%
灵敏度	Rated output	$2.0 \pm 10\% \text{mV/V}$
蠕变	Creep	$\pm 0.1\% \text{F.S.} / 30\text{min}$
零点输出	Zero balance	$\pm 2\% \text{F.S.}$
输入阻抗	Input resistance	$385 \pm 5 \Omega$
输出阻抗	Output resistance	$350 \pm 3 \Omega$
绝缘电阻	Insulation resistance	$\geq 5000 \text{M}\Omega / 100\text{VDC}$
灵敏度温度影响	Temp. effect on span	$\pm 0.05\% \text{F.S.} / 10^\circ\text{C}$
零点温度影响	Temp. effect on zero	$\pm 0.05\% \text{F.S.} / 10^\circ\text{C}$
温度补偿范围	Compensated temp range	$-10 \sim 60^\circ\text{C}$
使用温度范围	Use temp range	$-20 \sim 80^\circ\text{C}$
激励电压	Excitasion voltage	$5 \sim 15\text{V}$
安全过载范围	Safe overload	150%F.S.
极限过载范围	Ultimate overload	300%F.S.
防护等级	Defend grade	Ip66