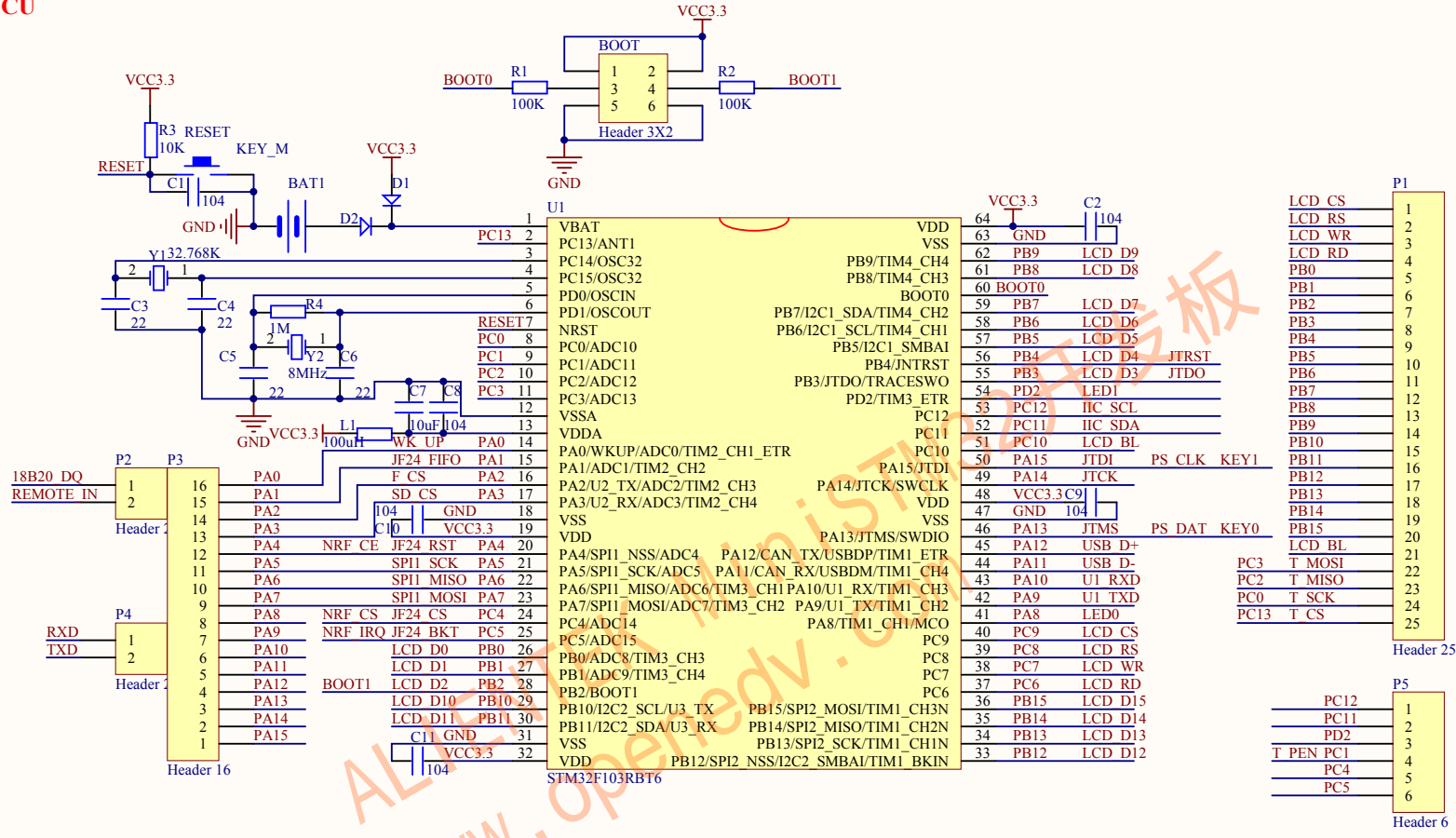
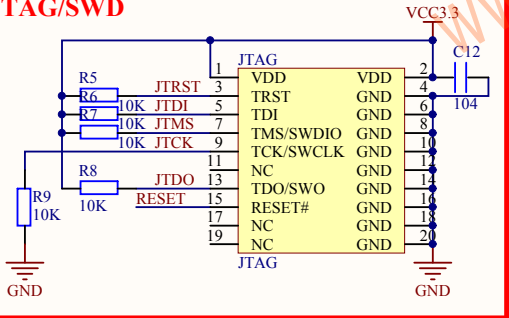


MCU



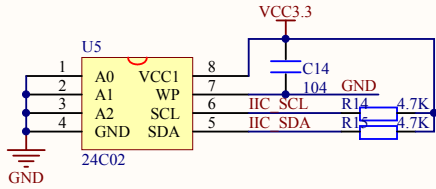
JTAG/SWD



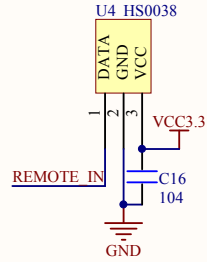
Title:	CORE
Author:	liujun6037
Date:	2011-11-17
Revision:	0
Size:	A4
File:	CORE.SchDoc
Version:	V1.9



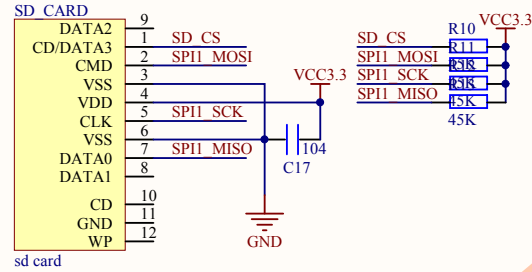
EEPROM



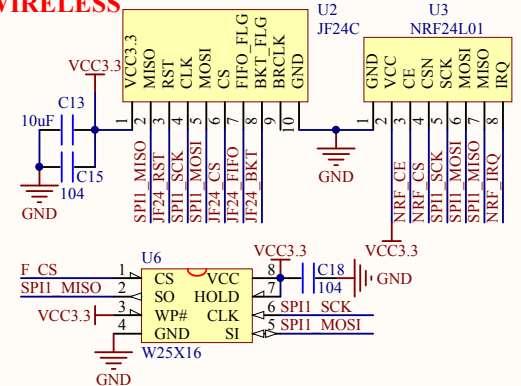
REMOTE



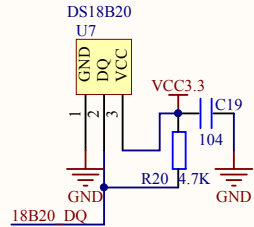
SD_CARD



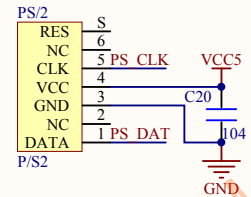
WIRELESS



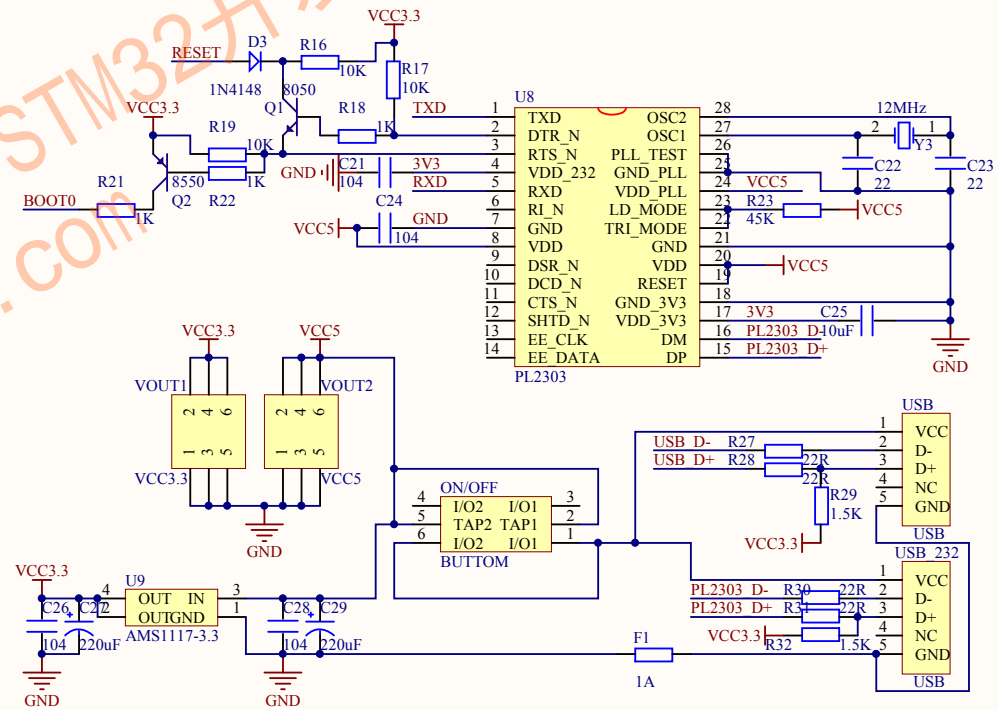
TEMPERATURE



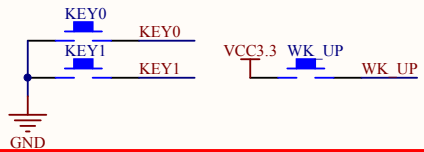
PS/2



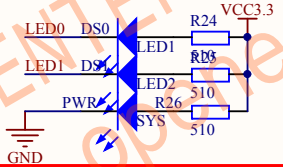
USB_232/USB/POWER



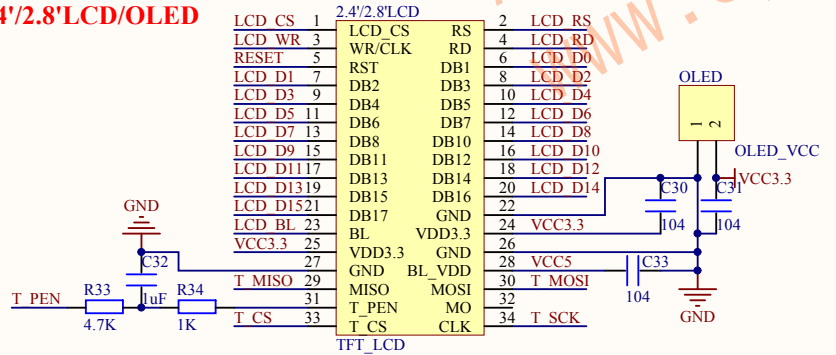
KEY



LED



2.4/2.8"LCD/OLED



File:	
DEVICES	
Author:	Size:
liujun6037	A4
Date:	File:
2011-11-17	.SchDoc
Revision:	Version:
0	V1.9



ALIENTEK

